

WALK IN TUB SPECIALIST

of the Low Country

CARE Series

2852S WALK-IN TUB




The 2852-S tub from our CARE Series presents an elegant, safe and rewarding spa experience within the comfort of your own home! After a decade of fine-tuning and development, the 2852-S represents the optimal balance of exterior to interior space, allowing for a roomy and comfortable interior.

Boasting a 41" height, this model provides a deep soak experience for the upper body. Additionally, its relatively compact outer dimensions allow it to be maneuvered easily through most standard doorways, hallways and stairwells. The innovative curved door design, affectionately called the "knee-saver", features a large 20" wide upper measurement with a narrow 14" lower width on the door making closing the door while seated significantly easier.

Aesthetically appealing to the eye, yet spacious and accommodating, the 2852-S is ideal for individuals up to 240 lbs. It is no wonder the 2852-S is quickly becoming our top seller.



THERAPEUTIC SYSTEM OPTIONS

-  **Hydromassage System - 10 Jet**
-  **Air Massage System - 20 Jet**
-  **MicroBubble Skin-Cleansing System**

DOOR/DRAIN ORIENTATION

Left-Hand or Right-Hand



AVAILABLE COLORS

White or Biscuit

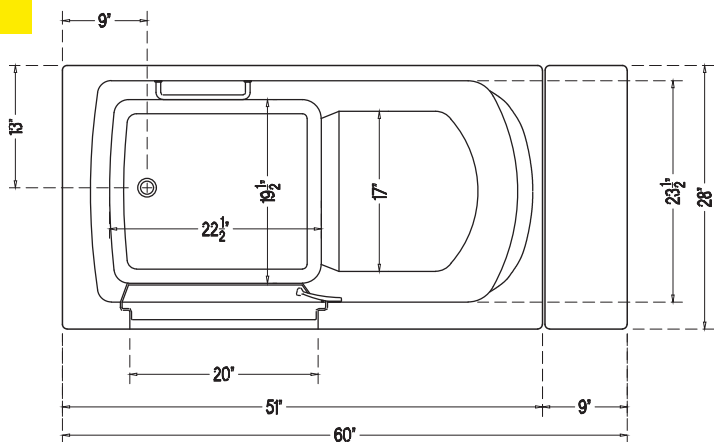


STANDARD FEATURES

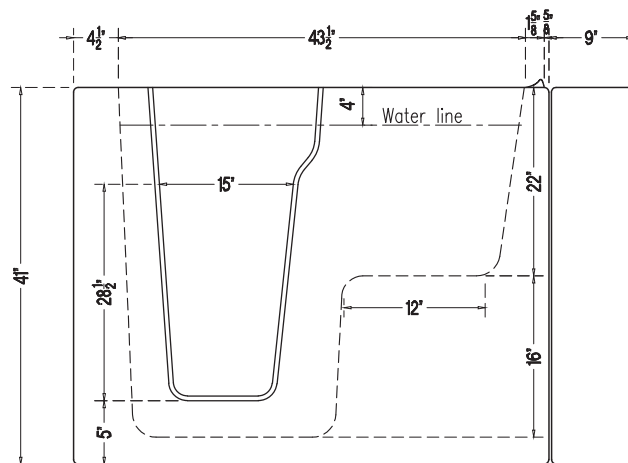
- Marine-Grade Fiberglass & Resin Composite Tub Shell
- High-Gloss, Triple-Coated Gelcoat Finish
- One-Piece, Stainless-Steel Support Frame
- 6 Adjustable Leveling Legs
- Low, 6" Door Threshold
- Ergonomic, Curved Door Handle
- Water-Tight Door Seal
- 17" High, ADA-Compliant, Contoured Seat
- Interior Safety Grab Bar
- Deck-Mounted, U-Shaped Grab Bar
- Non-Slip, Textured Floor
- Integrated Door Drain
- 2 Integrated Front Access Maintenance Panels
- Color-Matched Extension Kit to Fill to 60"
- Flangeless Design

Telephone: 843-253-0500
E-mail: info@walkintubsc.com
walkintubsc.com

TOP VIEW



SIDE VIEW



TUB 2852S SPECIFICATIONS

Tub Dimensions	28" W x 51" L x 41" H
Top Diagonal	58 3/4"
Tub Weight	150 lbs.
Crated Dimensions	30" W x 53" L x 50" H
Water Capacity	120 lb. / 61 Gallons
(with user inside approximately)	200 lb. / 56 Gallons
	220 lb. / 54 Gallons
Seat Dimensions	H: 17"; W: 19 1/2"
Door Width	20" (at top) Inward-
Door Swing	Swinging

DRAIN OPTIONS

- 1 1/2" Bath Drain & Overflow
- 2" HurryDrain™
- Secondary Emergency Drain
- Power Drain

FAUCET OPTIONS

- Elite 4 pcs Chrome Modern
- Bellevue 5 pcs Chrome Modern
- Bellevue 5 pcs Satin/Nickel Modern
- Bellevue 5 pcs Oil-Rubbed Bronze Modern
- Salutation 5 pcs Chrome Classic
- Kingston 1 pc Chrome Compact

Hydromassage System Add-Ons & Upgrades

- Leg Massage Only System
- Adjustable Bidet Jet
- Ozone Sanitization System
- Water-Heating Syllent Pump
- Friction Heater
- Inline Heater
- Additional Hip or Knee Jets
- Aromatherapy System

Optional Accessories

- Chromotherapy Light System
- Heated Seat & Backrest
- Neck Rest Pillow
- Seat Cushion
- L-Shaped Shower Curtain Rod
- Adjustable Shower Slide Bar
- Swinging Glass Shower Door
- Anti-Scald Valve
- Optional Tile Flange Kit
- Additional 12" Extension Kit
- End Panel for Seat and/or Faucet Side
- Bathing Support Harness



Limited Lifetime Warranty



Telephone: 843-253-0500
 E-mail: info@walkintubsc.com
 walkintubsc.com