

WALK IN TUB SPECIALIST

of the Low Country

CARE Series

3052S WALK-IN TUB




Tub 3052-S from our CARE Series represents an updated twist on the more traditional walk-in tub design.

With its 40" high tub basin, the 3052-S offers an increased bathing depth while maintaining a compact footprint for small bathrooms. Its overall size and 20½" seat make the 3052 the perfect size for narrow bathrooms, while being large enough to accommodate individuals between 120-250 lbs.

The innovative curved door design, affectionately called the "knee-saver" design, makes closing the door from a seated position much simpler, while its 20" door width provides ample entry space for larger individuals. This newer rendition of the 3052 has overtaken other traditional models as one of our top sellers.



THERAPEUTIC SYSTEM OPTIONS

-  **Hydromassage System - 10 Jet**
-  **Air Massage System - 20 Jet**
-  **MicroBubble Skin-Cleansing System**

DOOR/DRAIN ORIENTATION

Left-Hand or Right-Hand



AVAILABLE COLORS

White or Biscuit

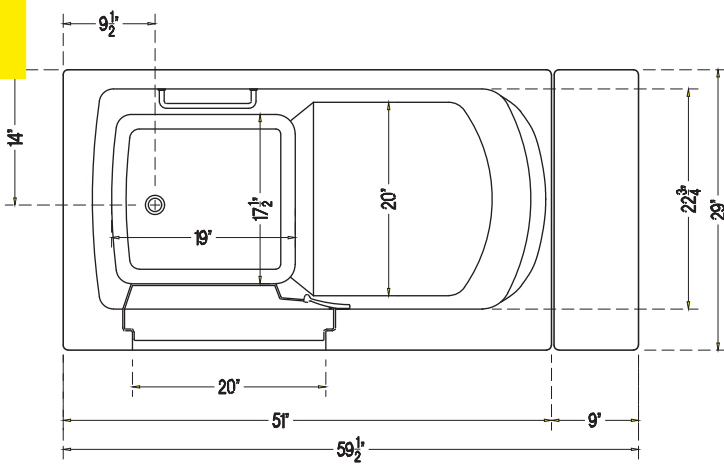


STANDARD FEATURES

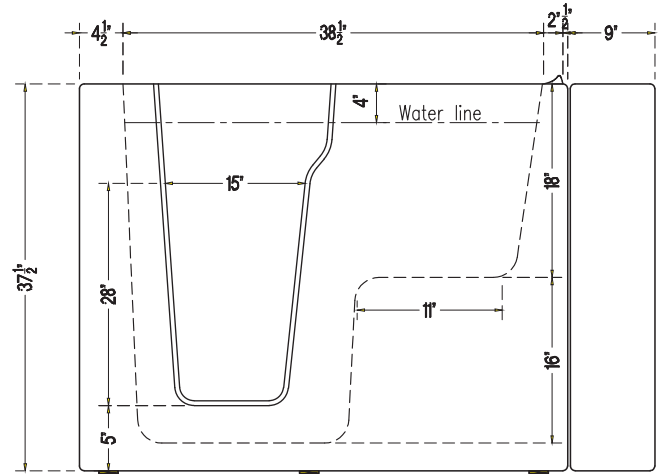
- Marine-Grade Fiberglass & Resin Composite Tub Shell
- High-Gloss, Triple-Coated Gelcoat Finish
- One-Piece, Stainless-Steel Support Frame
- 6 Adjustable Leveling Legs
- Low, 6" Door Threshold
- Ergonomic, Curved Door Handle
- Water-Tight Door Seal
- 17" High, ADA-Compliant, Contoured Seat
- Interior Safety Grab Bar
- Deck-Mounted, U-Shaped Grab Bar
- Non-Slip, Textured Floor
- Integrated Door Drain
- 2 Integrated Front Access Maintenance Panels
- Color-Matched Extension Kit to Fill to 60"
- Flangeless Design

Telephone: 843-253-0500
E-mail: info@walkintubsc.com
walkintubsc.com

TOP VIEW



SIDE VIEW



TUB 3052S SPECIFICATIONS

Tub Dimensions	29½" W x 51½" L x 40" H
Top Diagonal	59½"
Tub Weight	205 lbs.
Crated Dimensions	31½" W x 53½" L x 49" H
Water Capacity	120 lb. / 58 Gallons
(with user inside approximately)	200 lb. / 53 Gallons
	250 lb. / 50 Gallons
Seat Dimensions	H: 17"; W: 20"
Door Width	20" (at top) Inward-
Door Swing	Swinging

DRAIN OPTIONS

- 1½" Bath Drain & Overflow
- 2" HurryDrain™
- Secondary Emergency Drain
- Power Drain

FAUCET OPTIONS

- Elite 4 pcs Chrome Modern
- Bellevue 5 pcs Chrome Modern
- Bellevue 5 pcs Satin/Nickel Modern
- Bellevue 5 pcs Oil-Rubbed Bronze Modern
- Salutation 5 pcs Chrome Classic
- Kingston 1 pc Chrome Compact

Hydromassage System
Add-Ons & Upgrades

- Leg Massage Only System
- Adjustable Bidet Jet
- Ozone Sanitization System
- Water-Heating Syllent Pump
- Friction Heater
- Inline Heater
- Additional Hip or Knee Jets
- Aromatherapy System

Optional Accessories

- Chromatherapy Light System
- Heated Seat & Backrest
- Neck Rest Pillow
- Seat Cushion
- L-Shaped Shower Curtain Rod
- Adjustable Shower Slide Bar
- Swinging Glass Shower Door
- Anti-Scald Valve
- Optional Tile Flange Kit
- Additional 12" Extension Kit
- End Panel for Seat and/or Faucet Side
- Bathing Support Harness



Limited Lifetime
Warranty



Telephone: 843-253-0500
E-mail: info@walkintubsc.com
walkintubsc.com