

# WALK IN TUB SPECIALIST

*of the Low Country*

CARE Series

## 3060 WALK-IN TUB

The 3060 from our CARE Series has been a staple in the walk-in tub industry for over three decades.

Its 30" width and full 60" length perfectly fit into most standard tub or shower spaces, while its extra-wide 20½" seat and extended well provide a comfortable bathing position and ample room to stretch your legs. Due to its full 60" length, the 3060 does not come with a matching extension kit.

When selecting the 3060, it is important to consider the turning radius and other maneuverability factors to ensure it can be easily positioned in the bathing space and subsequently installed. The 3060 is the perfect choice for individuals with long legs between 120-230 lbs.



### THERAPEUTIC SYSTEM OPTIONS

**Hydromassage System - 10 Jet**

**Air Massage System - 20 Jet**

**MicroBubble Skin-Cleansing System**

### DOOR/DRAIN ORIENTATION

**Left-Hand or Right-Hand**



### AVAILABLE COLORS

**White or Biscuit**



### STANDARD FEATURES

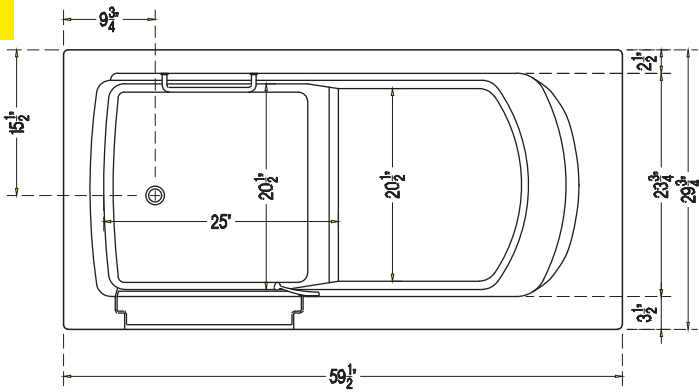
- Marine-Grade Fiberglass & Resin Composite Tub Shell
- High-Gloss, Triple-Coated Gelcoat Finish
- One-Piece, Stainless-Steel Support Frame
- 6 Adjustable Leveling Legs
- Low, 6" Door Threshold
- Ergonomic, Curved Door Handle
- Water-Tight Door Seal
- 17" High, ADA-Compliant, Contoured Seat
- Interior Safety Grab Bar
- Deck-Mounted, U-Shaped Grab Bar
- Non-Slip, Textured Floor
- Integrated Door Drain
- 2 Integrated Front Access Maintenance Panels
- Color-Matched Extension Kit to Fill to 60"
- Flangeless Design

Telephone: 843-253-0500

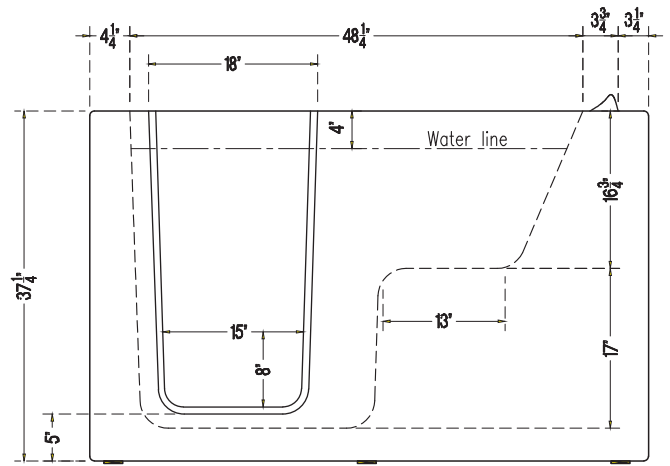
E-mail: [info@walkintubsc.com](mailto:info@walkintubsc.com)

[walkintubsc.com](http://walkintubsc.com)

TOP VIEW



SIDE VIEW



**TUB 3060 SPECIFICATIONS**

Tub Dimensions	30" W x 60" L x 36" H
Top Diagonal	66 3/4"
Tub Weight	155 lbs.
Crated Dimensions	33" W x 61" L x 44" H
Water Capacity	120 lb. / 71 Gallons
(with user inside approximately)	200 lb. / 66 Gallons
	250 lb. / 60 Gallons
Seat Dimensions	H: 17"; W: 20 1/2"
Door Width	18" (at top)
Door Swing	Inward-Swinging

**DRAIN OPTIONS**

- 1 1/2" Bath Drain & Overflow
- 2" HurryDrain™
- Secondary Emergency Drain
- Power Drain

**FAUCET OPTIONS**

- Elite 4 pcs Chrome Modern
- Bellevue 5 pcs Chrome Modern
- Bellevue 5 pcs Satin/Nickel Modern
- Bellevue 5 pcs Oil-Rubbed Bronze Modern
- Salutation 5 pcs Chrome Classic
- Kingston 1 pc Chrome Compact

**Hydromassage System Add-Ons & Upgrades**

- Leg Massage Only System
- Adjustable Bidet Jet
- Ozone Sanitization System
- Water-Heating Syllent Pump
- Friction Heater
- Inline Heater
- Additional Hip or Knee Jets
- Aromatherapy System

**Optional Accessories**

- Chromatherapy Light System
- Heated Seat & Backrest
- Neck Rest Pillow
- Seat Cushion
- L-Shaped Shower Curtain Rod
- Adjustable Shower Slide Bar
- Swinging Glass Shower Door
- Anti-Scald Valve
- Optional Tile Flange Kit
- Additional 12" Extension Kit
- End Panel for Seat and/or Faucet Side
- Bathing Support Harness



Limited Lifetime Warranty



Telephone: 843-253-0500  
 E-mail: info@walkintubsc.com  
 walkintubsc.com